

S-series

102 system

CLIP-IN CEILING SYSTEM 暗架天花系統



12

DRAGON^{zinc} S102 Clip-in ceiling system is a sealed ceiling design. Each panel is clamped with the A-shape runner (S-201) tightly to hide the suspension parts in the ceiling.

Suspension

The ceiling is suspended by two levels of A-shape runners which are cross fixed by the 1st Runner clamp (S-202). The whole of suspension frame is hanged by 2nd Runner Clamp (S-204).

天龍牌 S102 暗架天花系統是一種密閉式的天花設計，採用夾入式A字龍骨(S-201)，組成一幅隱閉式的平面天花。

吊掛系統

吊掛系統主要由兩層A字龍骨組成吊掛系統，使用第一層A字龍骨吊碼(S-202)把兩層龍骨扣在一起。而整個由龍骨框架則由第二層A字龍骨吊碼(S-204)懸掛。

Model No. 型號	Dimension 規格尺寸
S2- 300	300 x 300 mm
S2- 500	500 x 500 mm
S2- 600	600 x 600 mm
S2- 3060	300 x 600 mm
S2- 30120	300 x 1200 mm
S2- 45120	450 x 1200 mm
S2- 6090	600 x 900 mm
S2- 60120	600 x 1200 mm

Model No. 型號	Parts Name 組件名稱
1. S2-Panel	Ceiling Panel 暗架天花板
2. S-201	A-shape Runner A字龍骨 (第一層)
3. S-201	A-shape Runner A字龍骨 (第二層)
4. S-202	1st Runner Clamp A字龍骨吊碼 (第一層)
5. S-203	Runner Connector A字龍骨駁碼
6. S-204	2nd Runner Clamp A字龍骨吊碼 (第二層)
7. S-206	Security Clip 天花板防風碼

Suspension Drawing : 102 Clip-in Ceiling System

吊掛示意圖：102 暗架天花系統

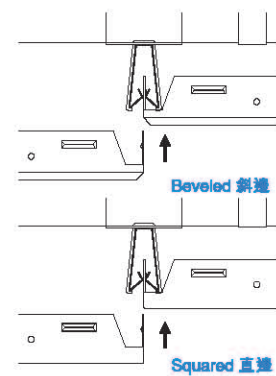
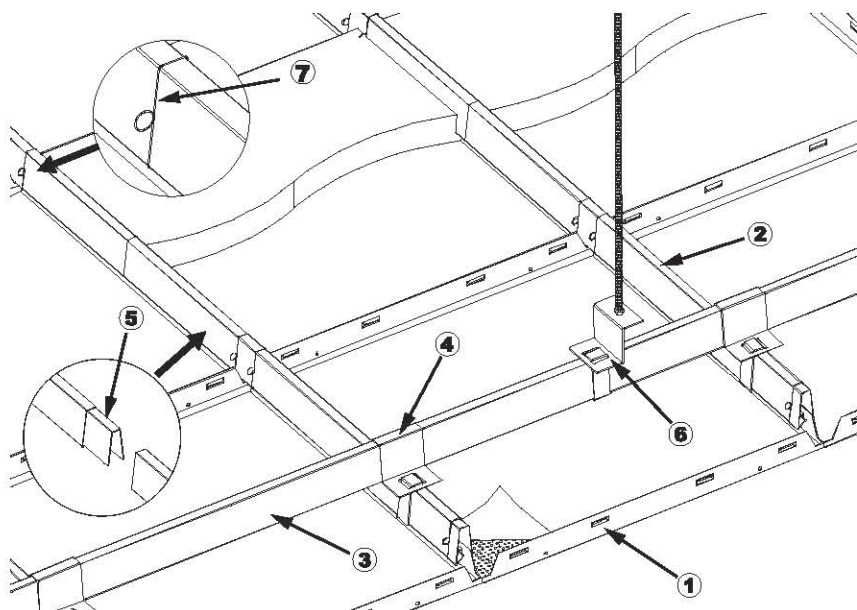


Fig 圖A

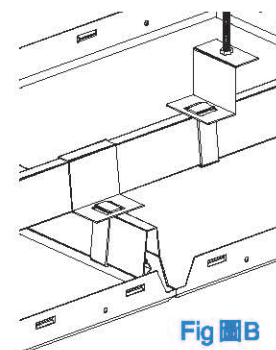


Fig 圖B